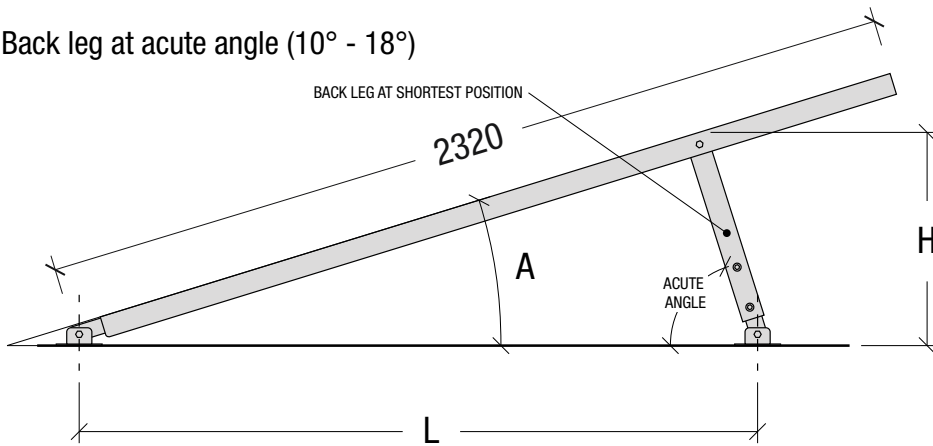


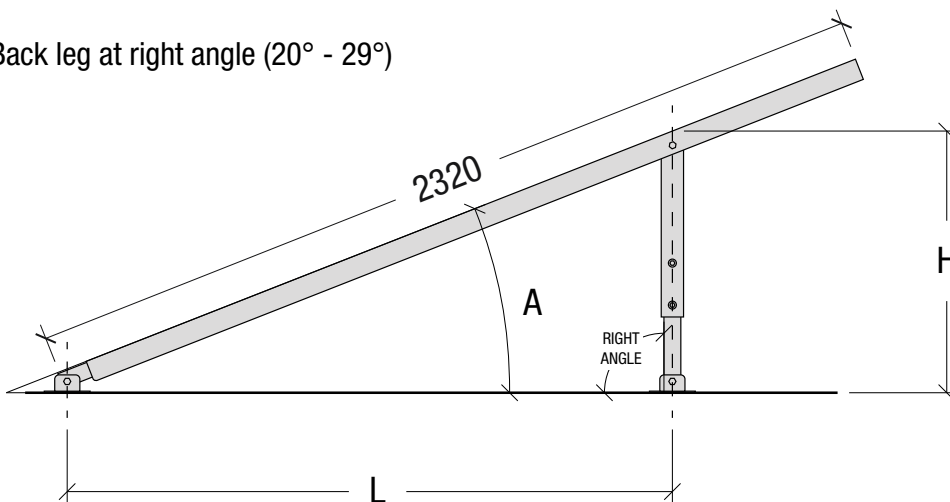
Pumped (Split) Systems: Flat Roof Stand Mounting Angles & Foot Spacing

Back leg at acute angle (10° - 18°)



Angle (A)	Foot Spacing (L)	Height (H)
10°	2010	300
12°	1980	355
14°	1925	415
16°	1850	475
18°	1740	530

Back leg at right angle (20° - 29°)



Angle (A)	Foot Spacing (L)	Height (H)
20°	1535	570
22°	1535	620
24°	1535	680
26°	1535	750
28°	1535	815
29°	1535	850

NOTE: Dimensions in mm.
Illustrations within this document are indicative only.



**Looking for More
Installation Instructions?**

Visit www.chromagen.com.au/shw-documentation
or scan QR code



**Need the Owner's Care
& Maintenance Guide?**

Visit www.chromagen.com.au/owners-guide
or scan QR code

CA_IN-S015
052015