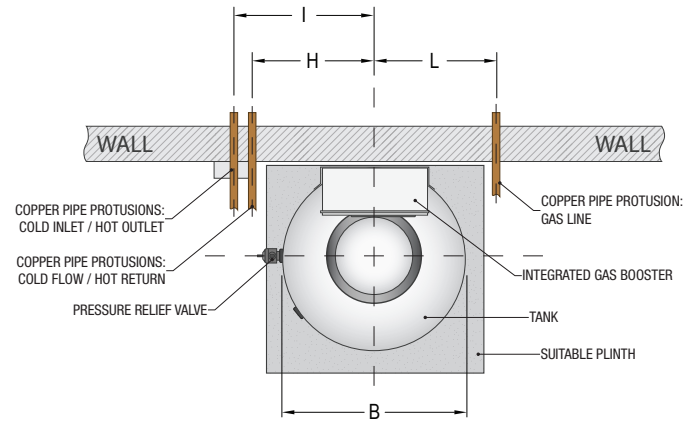
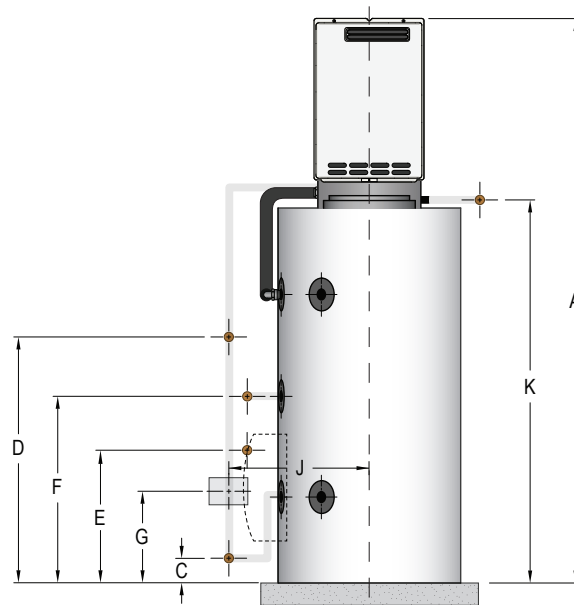


Pumped (Split) Systems - Rough-in: 200 Litre Gas - Open Loop System (*Integrated Gas*)

System Rough In Diagram



Plan View



Front Elevation

SPECIAL NOTES

- All plumbing connections must be done by a licensed plumber and in accordance with local authority regulations.
- Under no circumstances can plastic pipe be used for higher temperature solar water heater plumbing
- The cold water inlet, cold flow and hot return lines require an approved isolating non-return valve.
- In some locations, regulations require a pressure relief valve be fitted to the cold water supply.
- Pressure relief valve must be plumbed to appropriate waste drain
- All hot water pipes must be insulated

Specifications		200L
A	Overall system height	1870mm
B	Tank diameter	585mm
C	15mm cold water inlet wall penetration (from base of tank)	80mm
D	15mm hot water outlet wall penetration (from base of tank)	770mm
E	15mm collector cold flow wall penetration (from base of tank)	455mm
F	15mm collector hot return line wall penetration (from base of tank)	611mm
G	GPO position (from base of tank)	300mm
H	Collector cold flow / collector hot return wall penetrations (left of tank centreline)	400mm
I	Cold water inlet / hot water outlet wall penetrations (left of tank centreline)	460mm
J	GPO position (left of tank centreline)	460mm
K	20mm gas line wall penetration (from base of tank)	1255mm
L	20mm gas line wall penetration (right of tank centreline)	400mm
Weight	Tank Weight (Empty)	95kg

Note: Vertical measurements taken from base of tank. Extra allowance may be required to accommodate plinth height.



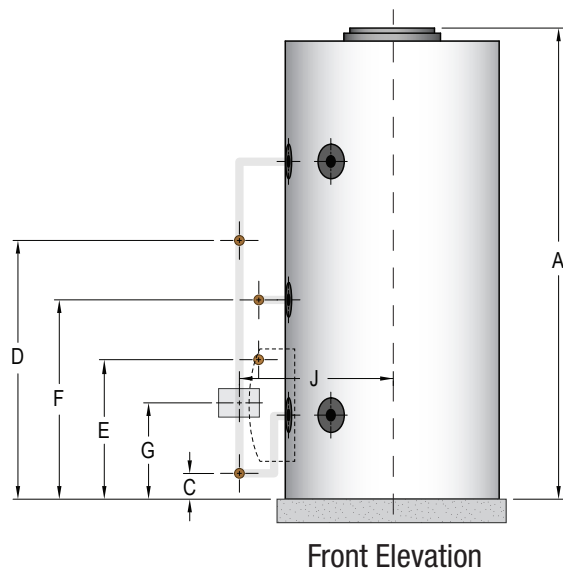
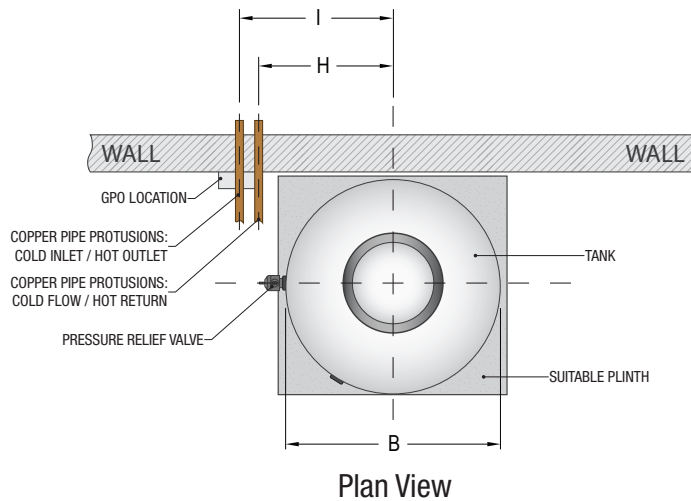
Looking for More
Installation Instructions?

Visit www.chromagen.com.au/shw-documentation
or scan QR code

CA_IN-S002
052015

Pumped (Split) Systems - Rough-in: 200/300 Litre Gas/Electric - Open Loop System

System Rough In Diagram



SPECIAL NOTES

- All plumbing connections must be done by a licensed plumber and in accordance with local authority regulations.
- Under no circumstances can plastic pipe be used for higher temperature solar water heater plumbing
- The cold water inlet, cold flow and hot return lines require an approved isolating non-return valve.
- In some locations, regulations require a pressure relief valve be fitted to the cold water supply.
- Pressure relief valve must be plumbed to appropriate waste drain
- All hot water pipes must be insulated

Specifications		200L	300L
A	Overall tank height	1241mm	1434mm
B	Tank diameter	585mm	651mm
C	15mm cold water inlet pipe protusion	80mm	80mm
D	15mm hot water outlet pipe protusion	770mm	805mm
E	15mm collector cold flow pipe protusion	455mm	435mm
F	15mm collector hot return line pipe protusion	611mm	620mm
G	GPO position	300mm	300mm
H	Collector cold flow / collector hot return wall penetrations (left of tank centreline)	400mm	420mm
I	Cold water inlet / hot water outlet wall penetrations (left of tank centreline)	460mm	480mm
J	GPO position (left of tank centreline)	460mm	480mm
Weight	Kilograms (empty)	65kg	91kg

Note: Vertical measurements taken from base of tank. Extra allowance may be required to accommodate plinth height.

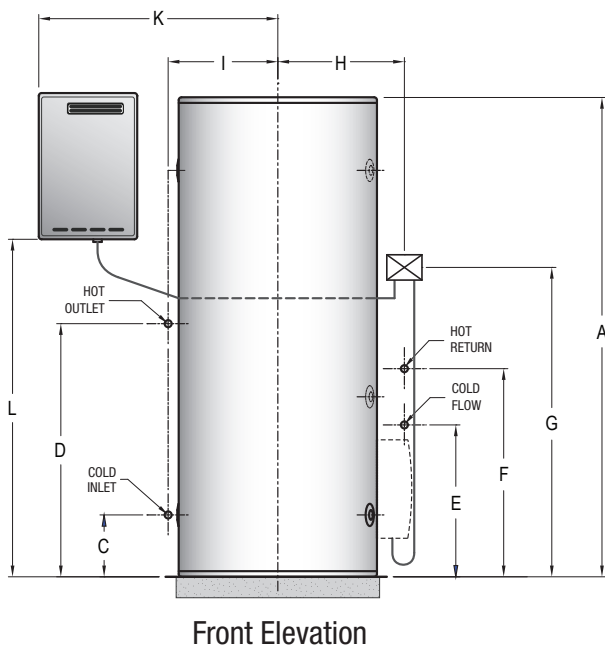
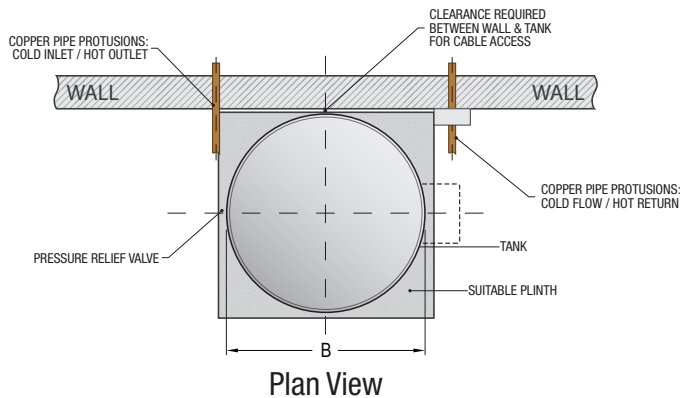


Looking for More
Installation Instructions?

Visit www.chromagen.com.au/shw-documentation
or scan QR code

Pumped (Split) Systems - Rough-in: 400 Litre Gas/Electric - Open Loop System

System Rough In Diagram



SPECIAL NOTES

- All plumbing connections must be done by a licensed plumber and in accordance with local authority regulations.
- Under no circumstances can plastic pipe be used for higher temperature solar water heater plumbing
- The cold water inlet, cold flow and hot return lines require an approved isolating non-return valve.
- In some locations, regulations require a pressure relief valve be fitted to the cold water supply.
- Pressure relief valve must be plumbed to appropriate waste drain
- All hot water pipes must be insulated

Specifications		400L
A	Overall tank height	1705mm
B	Tank diameter	705mm
C	15mm cold water inlet wall penetration (from base of tank)	220mm
D	15mm hot water outlet wall penetration (from base of tank)	900mm
E	15mm collector cold flow wall penetration (from base of tank)	540mm
F	15mm collector hot return line wall penetration (from base of tank)	740mm
G	GPO position (from base of tank)	1100mm
H	Collector cold flow / collector hot return wall penetrations (right of tank centreline)	450mm
I	Cold water inlet / hot water outlet wall penetrations (left of tank centreline)	390mm
J	GPO position (right of tank centreline)	450mm
K	Gas booster width allowance (left of tank centerline)	850mm
L	Gas booster height (from base of tank)	1200mm
Weight	Kilograms (empty)	110kg

Note: Vertical measurements taken from base of tank. Extra allowance may be required to accommodate plinth height.



Looking for More
Installation Instructions?

Visit www.chromagen.com.au/shw-documentation
or scan QR code

CA_IN-S005
092016